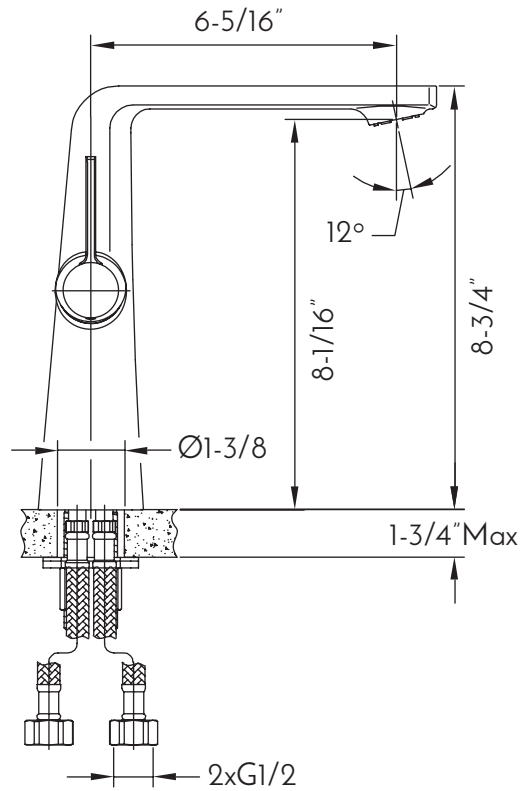




DAX-8226A-BN



BATHROOM FAUCETS **SERIES**



FEATURES

- Single Lever
- Vessel installation
- Ceramic cartridge
- Brass body
- Installation hole 1-3/8"
- Hoses and mounting parts included
- Pop up drain not included (available)
- Brushed nickel finish

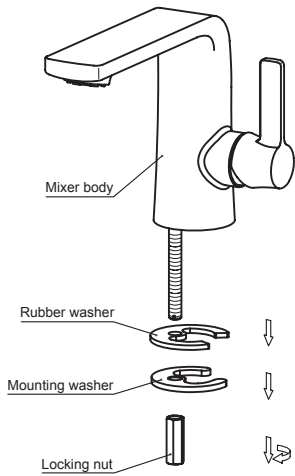


BATHROOM FAUCET DAX-8226A-BN

MODEL	DAX-8226A-BN
ADA	NO
UPC APPROVED	NO
ANSI APPROVED	NO
ASME APPROVED	NO
WATERSENSE CERTIFIED	NO
NSF APPROVED	NO
CONNECTION SIZE	3/8"
FAUCET HOLE SIZE	1 3/8"
FAUCETS HOLE	1
HANDLE STYLE	Single Handle
NUMBER OF HANDLES	1
HEIGHT	8-3/4"
HOSE LENGTH	15-3/4"
INSTALLATION TYPE	OVER COUNTER
MATERIAL	Brass
FINISH	Brushed nickel
SIDESPRAY	N/A
SPOUT HEIGHT	8-1/16"
SPOUT REACH	6-5/16"
SPOUT SWIVEL	NO
CARTRIDGE TYPE	Ceramic
POP-IP INCLUDED	NO
MAX DECK THICKNESS	1-3/4" MAX

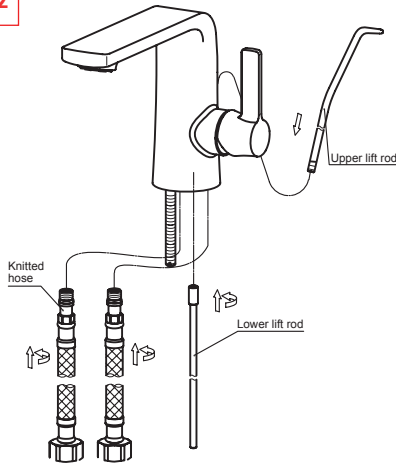


01



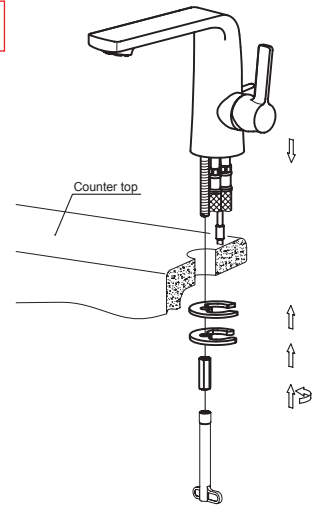
Disassemble the locking nut, mounting washer and rubber washer from the mixer body in turn.

02



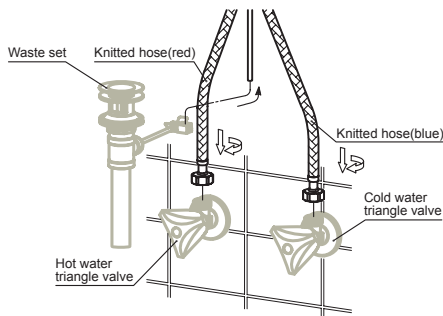
Insert the upper lift rod into the slot on the back of the mixer body. Connect the upper lift rod with the lower lift rod. Screw the knitted hose with red (hot) in front and blue (cold) in back.

03



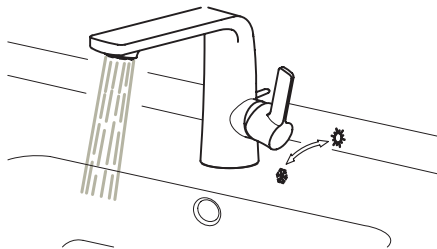
Pass the mixer body through the counter top, install the rubber washer and the mounting washer. Tighten them with the locking nut.

04



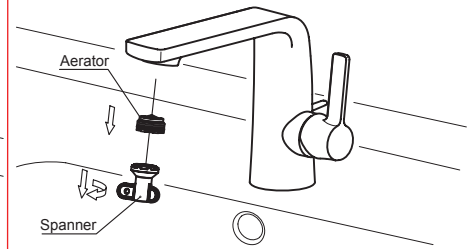
Connect the two knitted hoses to the two triangle valves (Red for hot water and blue for cold water). Connect the lower lift rod to the waste set.

05



Run the water to check if the product is well installed.

06



If flow rate of the water gradually decreases after some time, it may result from aerator blockage. Please clean the aerator as shown in figure above: Turn off the handle, disassemble the aerator with the spanner, wash the aerator and then install it back.

For parts or sale requirements please contact our customer service department:

CS@daxib.com

1 888 685 8236